

RESTORATION 4 – RESTORATION SERIES

inches (mm)

71 ½ x 39 x 25 (1815 x 990 x 635) • Fax on Demand #1323

SOAKER MODEL #AIY6717TO



FEATURES

- Deep bathing well
- Claw feet: Chrome, Oil-Rubbed Bronze, Polished Brass, Brushed Nickel, White
- Slip-resistant floor
- Center front drain
- Lucite cast acrylic surface
- Available in white only
- Limited lifetime warranty

OPTIONS

- Comfort pillow: Biscuit, Black, White
- Freestanding waste & overflow: Chrome, Oil Rubbed Bronze, Polished Brass, Brushed Nickel, White

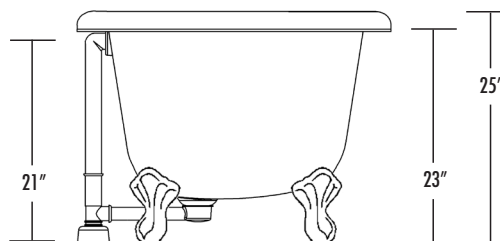
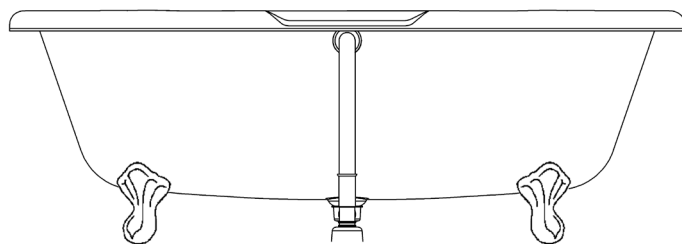
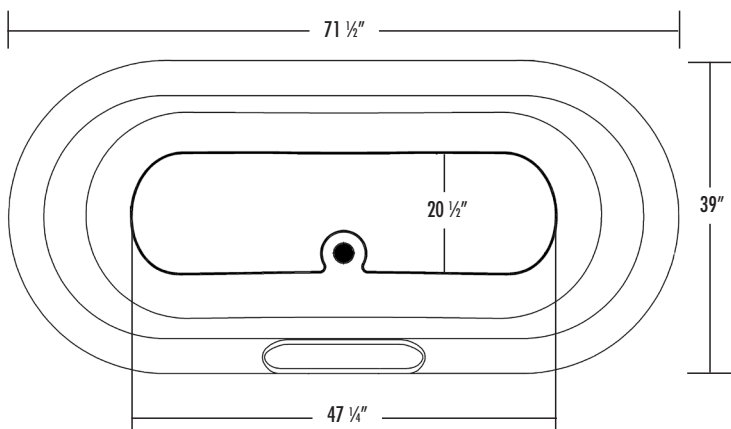
AQUATIC ADVANTAGE

- National distribution
- 6 manufacturing facilities
- Private fleet
- Centralized customer service
- Field support
- 24-hour fax-on-demand



RESTORATION 4

71 1/2 x 39 x 25 (1815 x 990 x 635)
inches (mm)



FEATURES lbs (kg) Dimensional Tolerance ± 3/8". Dimensions needed for site preparation should be measured from the unit. Aquatic assumes no responsibility for preparatory work.

Type and Model #	Material	Drain	Pkg. Wt.
Soaker #AIY6717TO	Acrylic	End	194 (85)

DIMENSIONS inches (mm)

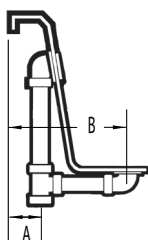
Width Overall / Net	Depth Overall / Net	Height Overall / Net	Skirt Height
71 1/2 (1815)	39 (990)	25 (635)	-

SUMP DATA inches (mm)

Capacity to Overflow gal (ltr)	Min. Operating Capacity gal (ltr)	WIDTH @ centerline		DEPTH @ centerline	
		Top	Bottom	Top	Bottom
79 (300)	-	62 1/2 (1590)	48 3/4 (1240)	30 (760)	25 1/2 (650)

PLUMBING DIMENSIONS inches (mm)

A	B
11 3/4 (300)	2 (50)



NOTES:

- 1) Where applicable, utilize cut-out templates packed with unit for deck cutouts.
- 2) 16 x 20 (405 x 510) minimum access required at pump/blower location(s).