

AVA – FREEDOMLINE SERIES

inches (mm)

F6032TR • 60 x 36 1/8 x 41 1/2 • (1525 x 920 x 1055) • Fax on Demand #1258

SOAKER MODEL #F6032TRO • \$12,000 List

WHIRLPOOL MODEL #F6032TR1 • \$13,500 List

AIR BATH MODEL #F6032TROA • \$14,000 List



FEATURES

- Acrylic surface
- Alcove configuration
- Push-button electronic and pneumatic controls
- Drains up to 70 gallons (265 liters) of water in under 30 seconds
- 35 1/2 (900) door opening for easy access
- Bathing well depth: 16 1/4 (415)
- Transfer height: 21 3/4 (550)
- Automatic up/down door
 - Durable, tempered, double pane glass door
 - patented coating for scratch resistance and low maintenance
- Ergonomically designed grip handles
- Patent-pending linear sheet-flow drain
- Symmetrical drainage tank for universal installation
- Hydrotherapy system options: whirlpool, air bath
- Limited lifetime warranty

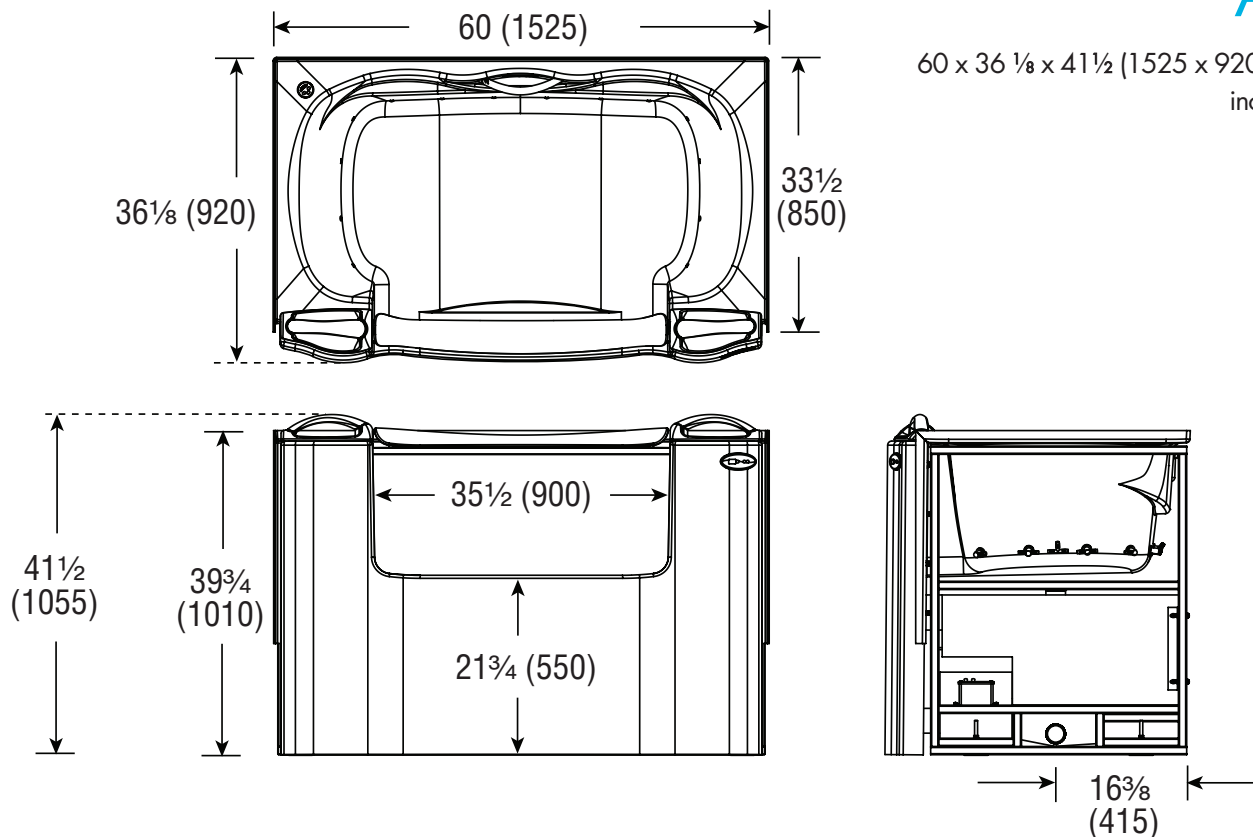
AQUATIC ADVANTAGE

- National distribution
- 6 manufacturing facilities
- Centralized Customer Service
- Field support
- 24-hour fax-on-demand



AVA

60 x 36 1/8 x 41 1/2 (1525 x 920 x 1055) inches (mm)



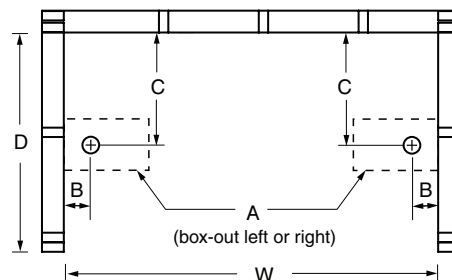
DIMENSIONS

Specifications	inches (mm)
Overall Width	60 (1525)
Overall Depth	36 1/8 (920)
Overall Height	41 1/2 (1055)
Rough-In (from Back Wall)	16 3/8 (415)
Rough-Center (from Side Wall)	N/A
Drain Diameter	N/A
Drain Clearance	N/A
Overflow	N/A
Overflow Pipe	N/A

FRAMING DIMENSIONS

LEGEND: D = Overall Depth W = Overall Width H = Overall Height

D	W	H	A: Box Out	B: Rough Center	C: Rough-In
33 1/4 (845)	60 1/8 (1525)	41 1/2 (1055)	6 x 12 (150 x 305)	N/A	16 3/8 (415)



WEIGHT lbs (kg)

Model #	Net Wt.	Pkg. Wt.
F6032TR0	350 (159)	420 (191)
F6032TR1	380 (172)	450 (204)
F6032TR0A	365 (166)	435 (197)